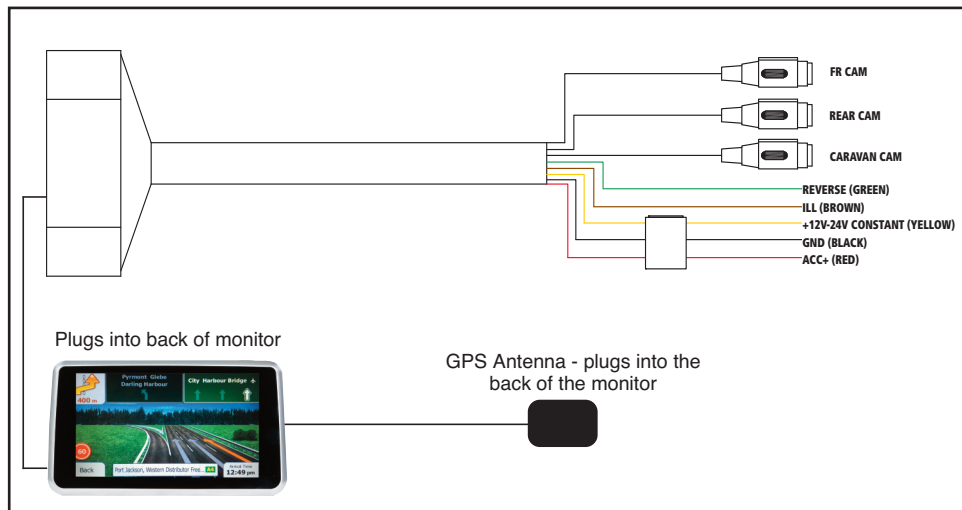


Wiring Diagram



WIRING NOTES

- Please make sure that the correct reverse / front camera is connected to the correct camera input on the wiring harness, otherwise the cameras may not appear according to the NG7's software sequence.
- Please make sure you connect the reverse trigger wire in order for the reverse camera to appear on the screen when reverse gear is selected (you can still access caravan camera whilst the car is in reverse as well, please see page 10).
- If you are connecting a caravan camera to the NG7, please see page 19 to make sure the setting is switched on.
- If you are connecting a front camera, please see page 19 to make sure the setting is switched on and to nominate a time interval for the front camera to appear after reverse gear has been disengaged.
- The illumination wire is to be connected in order for the screen to dim when the vehicle's headlights are switched on.
- We recommend mounting the GPS external antenna on the dash either in the top left or top right hand corner.
- Constant power is needed (yellow) so that the date and time holds its setting for the DVR function.
- Please make sure you connect the GPS external antenna, otherwise the NG7 will not pick up any satellites.

If you have any questions in regards to the wiring of the NG7, please do not hesitate to give us a call on 1300 555 514.