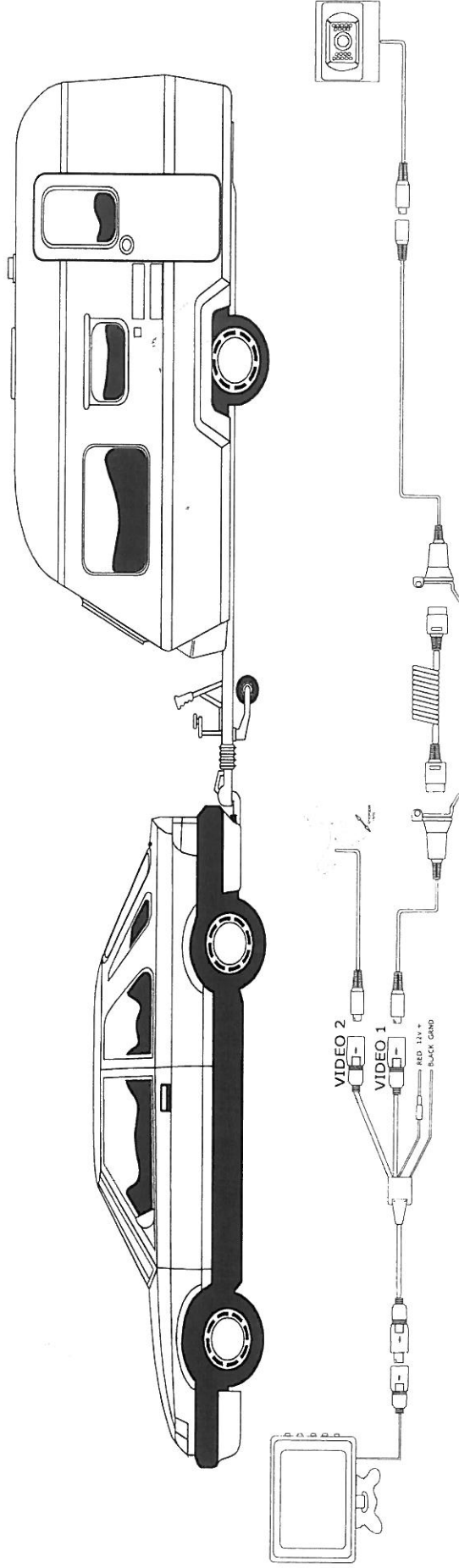


TRAILER (WOZA) CABLE CONNECTION DIAGRAM



1. Mount stainless steel brackets on vehicle and trailer draw bar
2. Fit socket and cable assembly with Male plug to vehicle and connect to Video 1 socket
3. Fit socket assembly with Female plug to trailer and connect to camera plug
4. Plug short coil cable between the two sockets.
5. For Monitor wiring in vehicle see monitor instructions

WARNING: DO NOT CONNECT ANY PLUG WITH THE POWER CONNECTED TO EITHER THE MONITOR OR THE CAMERA



Polaris reverse parking and rear view systems are strictly a driver assistance device. They are not a substitute for driver responsibility when reversing a vehicle.

(02 9638 1222)