

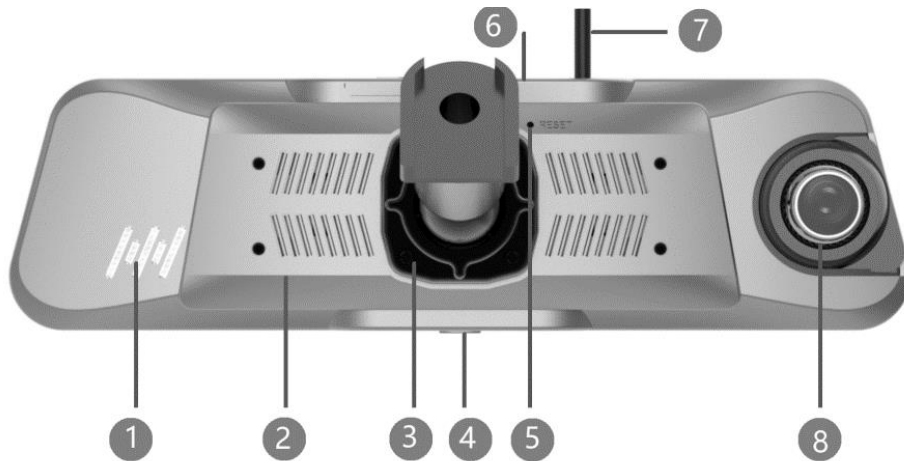
### Precautions:

1. Polaris accept no responsibility for any consequences caused by drivers' illegal operations while driving! Do not install or disassemble the mirror DVR by an unprofessional technician!
2. Polaris recommend installation or maintenance of the mirror DVR to be by persons who are trained in electronic equipment and auto parts.
3. Polaris accept no responsibility for any consequences caused by non-licensed and unqualified technicians installing or disassembling the mirror DVR by themselves!
4. It is prohibited to use power cords and rear lens extension cords other than those that come standard with the mirror DVR as this may void warranty.
5. It is prohibited to forcefully bend or use heavy objects to squeeze the power cords and rear lens extension cords as this may void warranty.
6. Please do not use the memory card for storage purposes other than the mirror DVR to avoid causing abnormalities in the storage system.
7. When exposed to strong sunlight, the camera may overexpose causing the image to be unclear - This is a normal phenomenon based on optical principles.
8. Polaris recommend cleaning the lens once a week to ensure clear viewing.

### Reminder:

1. The mirror DVR will have a notice message if there are too many locked videos.
2. It is recommended to regularly format the SD card in the mirror DVR system to extend the service life of the memory card.
3. Please use real Class10 U3 high-speed SD cards - The SD card writing speed must not be lower than 30MB/S.
4. If the "Sentinel Mode" function is turned on, when the mirror DVR detects that the car battery voltage is lower than 11.7V, the mirror DVR will stop working to prevent the car from being unable to start due to excessive consumption of the car battery.
5. When the screen brightness is automatically adjusted, if you feel that the screen is too bright, you can enter the settings page to change the backlight adjustment from automatic to manual adjustment and press and hold the right 1/3 of the screen to slide up and down to adjust the screen brightness.

## 1. RVM966 Product Overview:



1	Speaker
2	Bracket & back plate
3	Replacement mounting arm
4	Power button
5	System hardware reset hole
6	SD card slot
7	Main harness
8	Adjustable front camera

### Power Button Usage Instructions:

#### Function 1: Screen rest function

When the mirror DVR is on, short press the [Power Button] to put the screen into sleep mode. At this time, the mirror DVR's recording function is still running in the background.

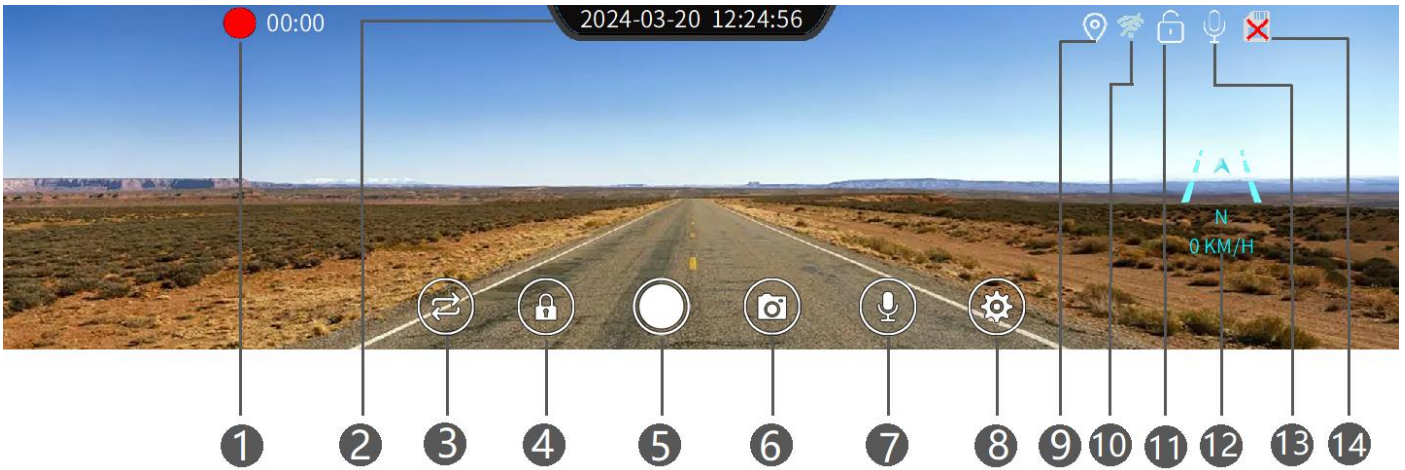
#### Function 2: Restart function

If a malfunction occurs while the mirror DVR is running, you can press and hold the [Power Button] for 10 seconds and the system will be forced to shut down. After a while, the mirror DVR will automatically restart.

#### Function 3: On/off function

Press and hold the [Power Button] for 3 seconds while the machine is on. The mirror DVR will automatically save the video files and user settings and then shut down.

## 2. Video Recording Interface



### Screen Gesture Operation:

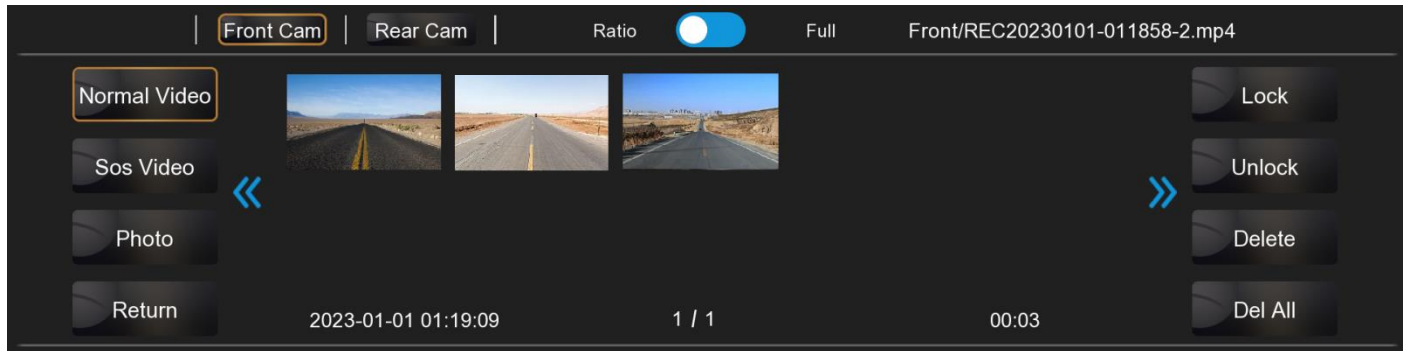
**Function 1:** On the right side of the screen, slide up or down to adjust the screen brightness. (Need to set in the menu: automatic brightness is off)

**Function 2:** In the middle of the screen, slide from left to right to enter the playback interface.

NO.	Item	NO.	Item
1	Recording status indication and recording time	8	System settings button
2	System time	9	GPS positioning status (white means not positioned)
3	Front and rear camera screen switching button	10	WIFI status
4	Video lock button	11	Video lock status indication
5	Start recording & stop recording button	12	Compass and speed
6	Photo button	13	Microphone status indication
7	Microphone on/off	14	SD card status indication

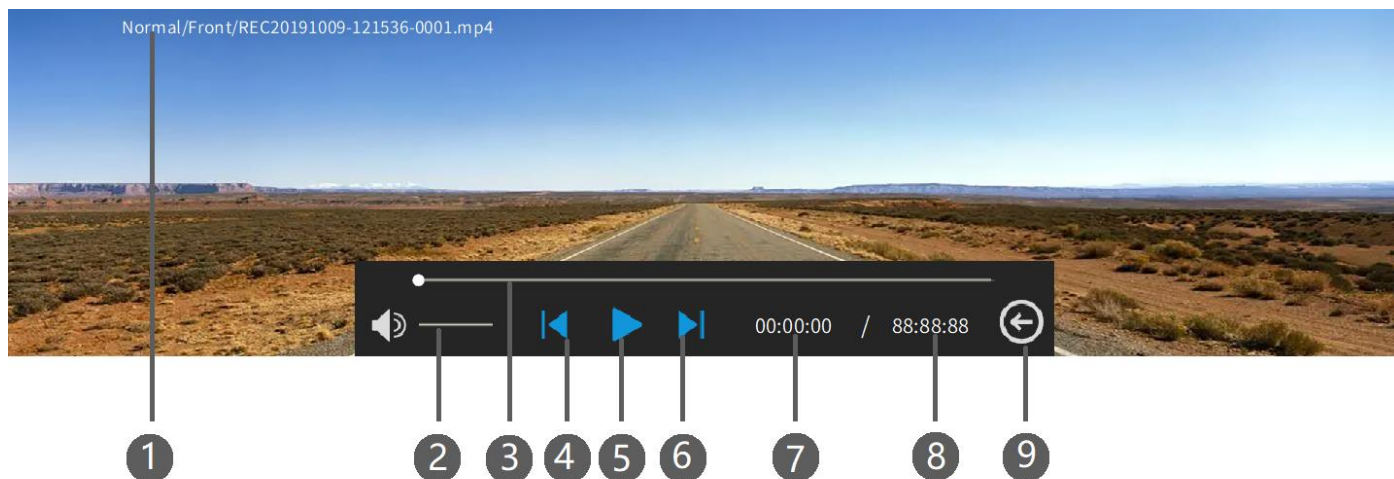
### 3. Video Playback

In the video recording interface, slide from left to right in the middle of the screen to enter the video playback interface.



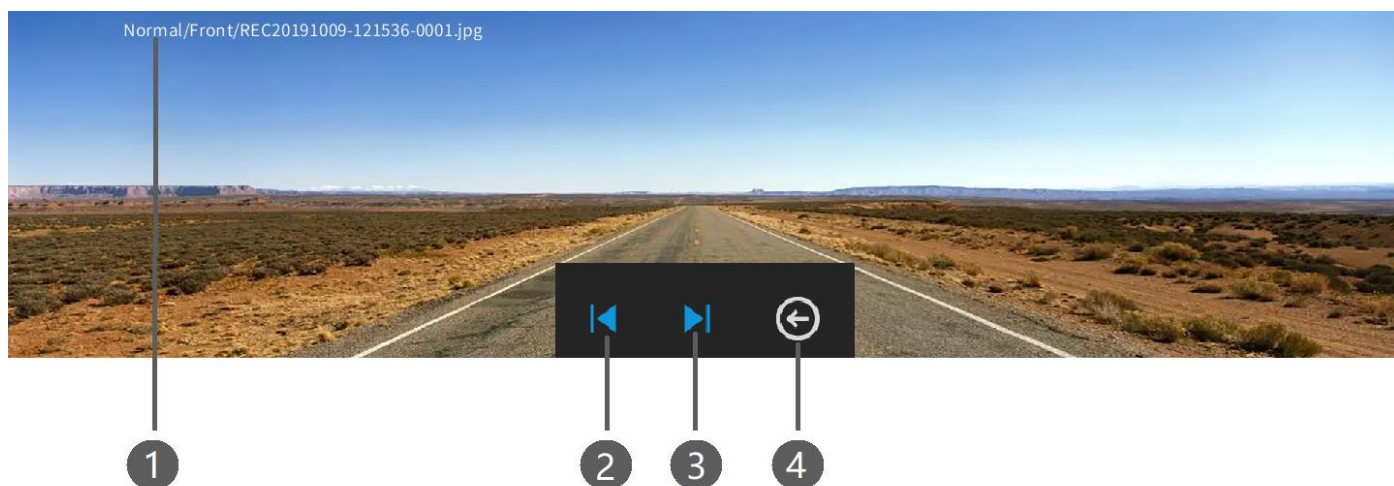
Front Cam	Image data recorded by the front camera
Rear Cam	Image data recorded by the rear camera
Ratio	Play video files proportionally. All video files will be displayed and played according to a certain proportion.
Full	It will occupy the entire screen during playback. At this time, you can slide up and down on the left side of the screen to move the video angle.
Normal Video	Displays unlocked videos.
Sos Video	Displays locked videos.
Photo	Displays pictures taken.
Return	Returns to the previous interface
Lock	Manually lock normal videos to prevent the system from automatically overwriting and deleting files.
Unlock	Locked videos or pictures can be unlocked, and the system will overwrite and delete files when SD card is full.
Delete	Manually delete selected files.
Del All	Delete all files of the currently selected camera.
⏪	Page backward
⏩	Page forward

Click on the file thumbnail to enter the file playback interface.



NO	Item
1	File name, Normal: normal video; Front: video recorded by the front lens; REC20191009-121536-0001.MP4 is parsed as: the first file recorded at 12:15:36 on October 9, 2019.
2	Volume adjustment when playing files
3	File playback progress bar, you can drag the button directly to change the playback position
4	Previous file
5	File play/pause
6	Next file
7	File playback time
8	Total file length
9	Return to the previous interface

Picture playback interface.



NO	Item
1	File name, Normal: normal video; Front: picture taken by the front lens; REC20191009-121536-0001.Jpg is parsed as: the first file taken at 12:15:36 on October 9, 2019.
2	Previous picture
3	Next picture
4	Return to the previous interface

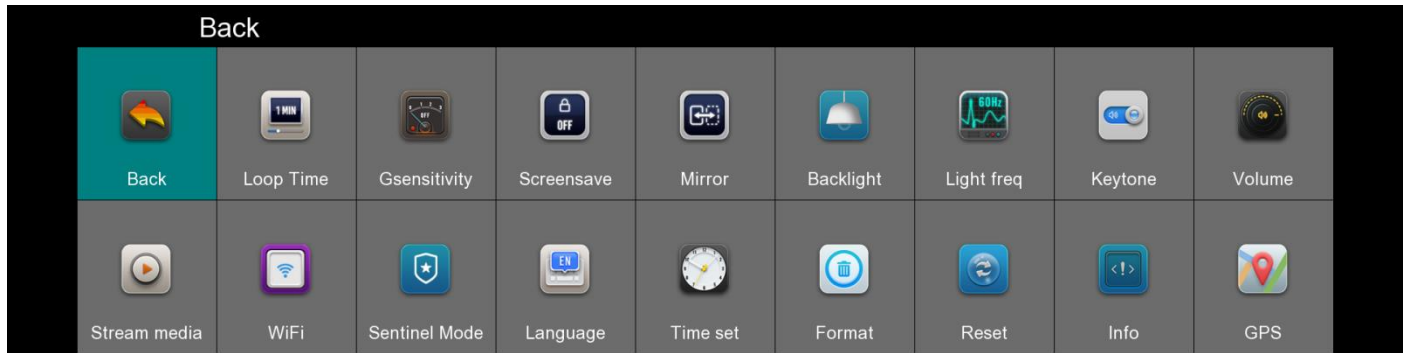
## View the memory card in PC:

Read the file in the computer through the card reader and open the SD card drive letter to get:

NO	Item	
Event	F	The event locked video recorded by the front camera: FILE240119-165451-000001R is parsed as: Recording time: January 19, 2024, 16:54:51, first file
	R	Event locked video recorded by rear camera
Normal	F	Normal video recorded by the front lens
	R	Normal video recorded by the rear lens
Photo	F	Normal photos recorded with the front lens
	R	Normal photos recorded by the rear lens

## 4. System settings

Click the "System Settings" button at the bottom of the recording interface to enter the system setting interface.



Back	Return to the previous interface
Loop Time	The length of each recorded video file can be set: 1 minute, 2 minutes, 3 minutes
Gsensitivity	For the collision sensor (G-sensor) to sense acceleration, set it to [High] sensitivity. The system is preset to "low", and the user can set it to off, high or mid-range.
Screensave	You can set the screen sleep time, and the mirror DVR will continue to work in the background after the screen sleeps.
Mirror	You can set the direction in which the corresponding camera image is displayed on the screen (Can also flip screen 180° if mounting screen upside down)
Backlight	After backlight adjustment is turned on, the mirror DVR will automatically adjust the brightness of the screen according to the intensity of the current ambient light.
Light freq	The device lens photosensitive frequency can be set: 50HZ/60HZ
Keytone	The sound of touch keys can be set to turn on and off
Volume	You can set the volume and turn off various functions. Contains: power on and off sounds
Stream media	Select the streaming function on/off. When streaming media is "on", the default full-screen rear camera image will be used. When streaming media is "off", the default full-screen front camera image will be used.
WiFi	WiFi switch, after turning on WiFi, the mobile APP can read the data stored in the recorder.
Sentinel Mode	When this function is turned on, after the vehicle is turned off (the device disconnects ACC detection), the device will enter "Sentinel Mode", the system will turn off the screen and record video in the background using a frame-per-second recording method to form a compressed fast-forward video , achieving low-power continuous monitoring; this feature is divided into three recording duration: 4 hours, 12 hours and 24 hours. When the set time is reached, the device will automatically stop this function and turn off. When the vehicle battery voltage is detected to be lower than 11.6V, this function will also automatically turn off, and the device will automatically shut down to ensure the safety of the vehicle battery power supply.
Language	Language menu
Time set	Set to current time
Format	Format the SD card
Reset	Restore mirror DVR default settings



Info	Mirror DVR software version information
GPS	Check GPS satellite status and the current positioning latitude and longitude. (After positioning is completed, the current direction of the vehicle and its current speed will appear on the right side of the screen.)
Timezone	Change timezone
Calibration	Adjust the difference between actual vehicle speed and GPS speed measurement
Speeding	Over speed alarm, if the vehicle speed exceeds the set speed value, the mirror DVR will play an alarm sound and a text warning will appear.
Check speed	Switch GPS speed units to kilometers or miles

## 5. WIFI Function

Please click the "System Settings" button at the bottom of the recording interface, then click the "Info" menu, scan the QR code with the mobile social APP, and download the recorder APP according to the mobile phone instructions.



Android & IOS

WIFI name: SSID: DVR \*\*\*\*\*

WIFI default PWD: 12345678

After the mobile phone is connected to the recorder WiFi, open the APP again. Only then can the files in the recorder be read in the APP, and videos and pictures can be downloaded and saved.

Note: If you change the WIFI password and forget the WIFI password, you can click "Reset" in the "System Settings" interface, and the WIFI password will be restored to the default password: 12345678



## 6. Hardware specifications

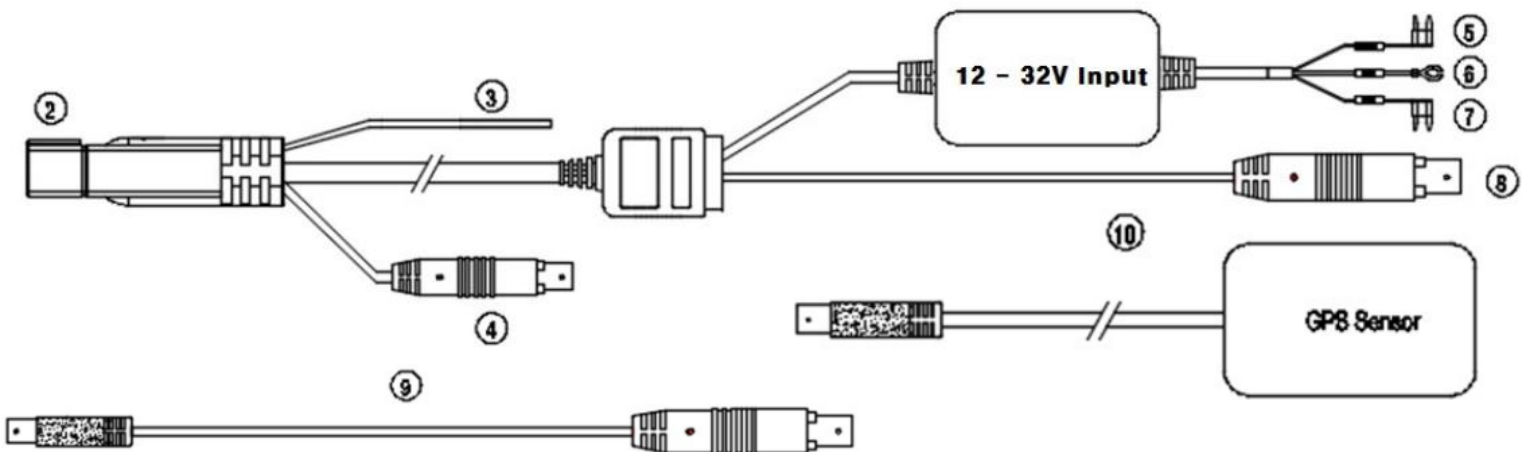
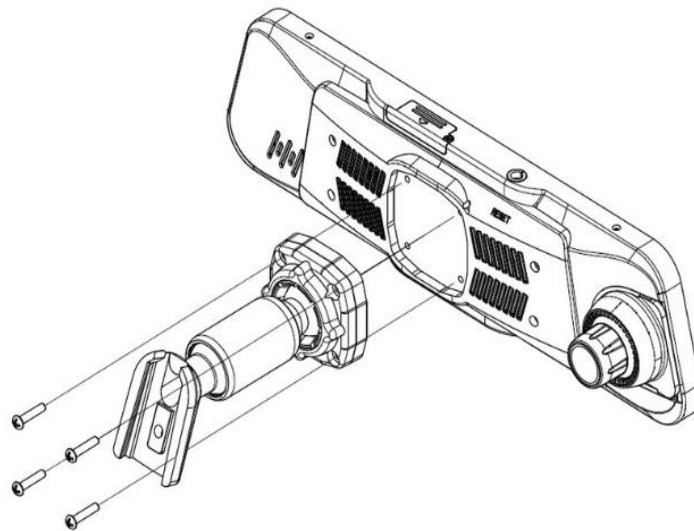
NO	Name	Specification
1	Model	N7 (manufacturer)
2	CPU	ARM Cortex-A7 single Core 800MHz
3	System (OS)	Linux Deep Customized Car System
4	Expand storage	Max 256GB Class10 U3 Micro SD card
5	Display	9.66" IPS 1920*480 Full viewing panel
6	Touch operation	Full screen multi-touch
7	Image resolution	Front cam: HDR 1920*1080P Rear cam: HDR 1920*1080P
8	Image compression	H.264
9	System language	English, Japanese, Korean, Chinese, French ,Spanish
10	MIC	Built-in
11	SPK	Built-in
12	GPS	Support
13	G-Sensor	Built-in gravity sensor
14	Working current	< 12V 1.5 Ah
15	Super Capacitor	Built-in
16	Sleep current	<3mA
17	Working voltage range	12V-32V
18	Working temperature range	-10°C ~ +70°C / 14°F ~ 158°F
19	Power supply	Car Battery+12V/10A

## 7. RVM966 Installation and Wiring

### Attaching the mirror DVR:

1. Attach the installation bracket for your vehicle to the rear of the mirror monitor.
2. Remove the original mirror
3. Different cars have different brackets, it depends on your vehicle maker and manufacturer - There are many methods to remove the original rearview mirror, however please don't force the mirror off the bracket as the manufacturer will not be responsible for damage caused to your car by wrong installation of the mirror.

**\*\* If your vehicle does not support the universal mounting bracket, remove the back plate and attach the adjustable rubber straps.**



- ② Power harness
- ③ Trigger cable : Connect to fuse-box for reverse gear
- ④ GPS connector : Connect ⑩ GPS sensor for position and speed
- ⑤ Power connection terminal : Connect to power source
- ⑥ Ground connector : Connect to chassis ground
- ⑦ ACC connector : Connect to ACC power
- ⑧ Rear camera connector : Connect to ⑨ rear camera