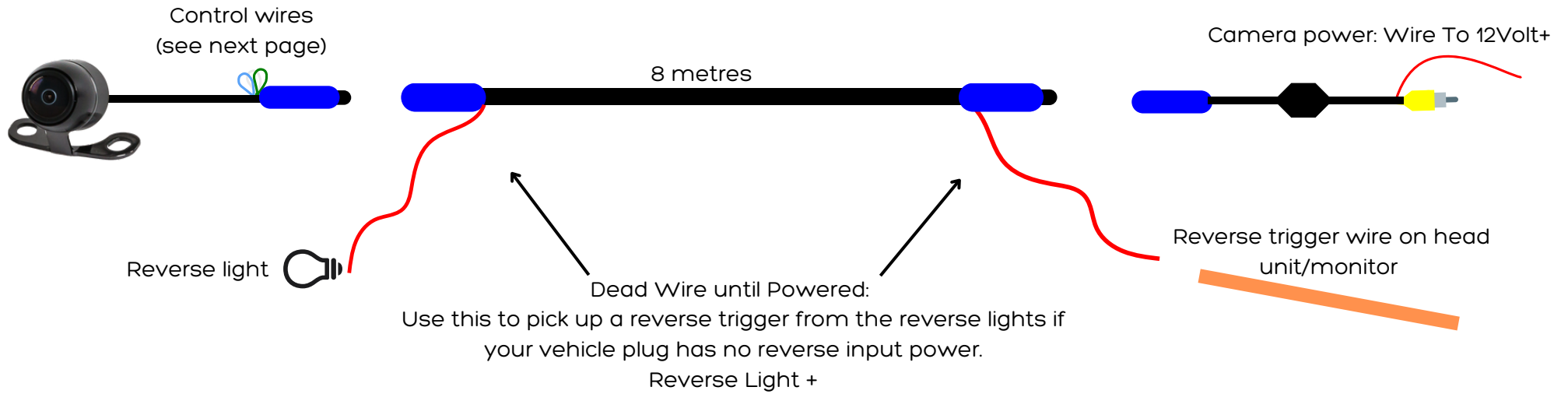
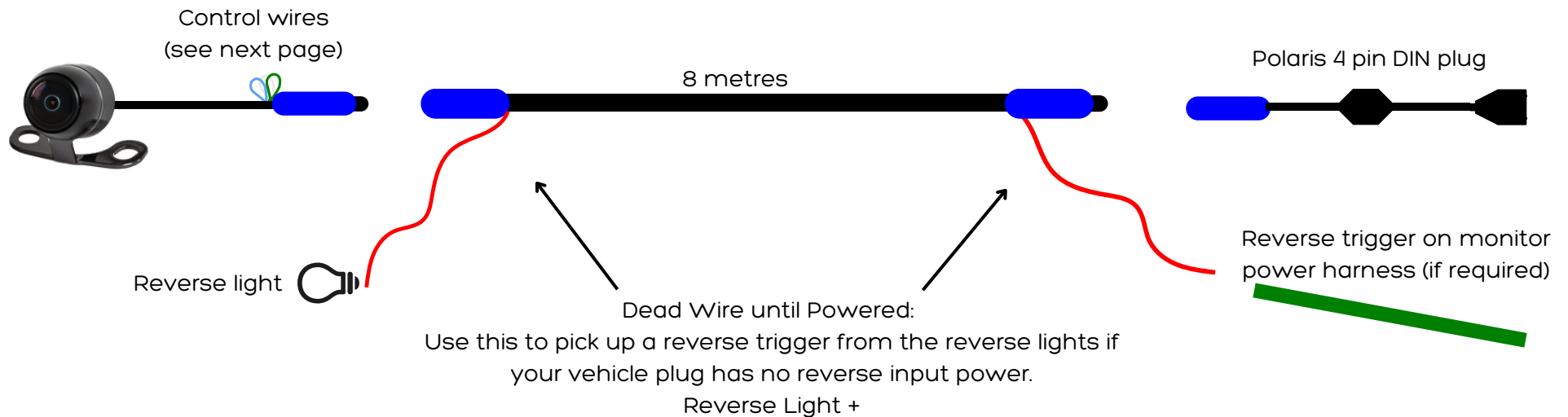


RCA Connection



Din Plug Connection



MINI CAMERA CONTROL WIRES

BLUE: AHD/CVBS: Cut this wire to convert the camera to a CVBS signal (note: camera image quality will decrease slightly).

GREEN: Image Control: Cut this wire to mount the camera on the front of the vehicle and change the reversed image to a front-facing image.

WHITE: Guidelines: Cut this wire to remove the guidelines from the camera display.

NOTES

- Please note that the red wires on the extension cable are inactive until powered. These wires are only to be used if you need to pick up a reverse trigger from your reverse lights. They do not power the camera.
- The camera itself is powered through the red wire on the RCA plug. To power the camera, connect the red wire from the RCA plug to a 12V+ power source.
- You do not need to pick up a separate power for the DIN connection.